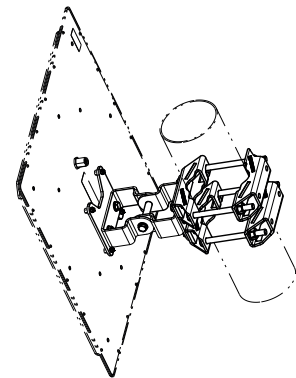


Pole bracket for installing WIRA 40° antennas outdoor.



## > General Specifications

Order No.		52010262
Type		MK-WPGM-100-100-Outdoor
Max. load-bearing capacity	[kg]	6.0
Adjustment range		
Elevation	[°]	+20/-45 (elevation angle)
Usable pole diameters	[mm]	42-115
Weight	[kg]	2.5
Packing size (L x W x H)		295 x 295 x 100
Material		
Bracket		galvanised steel sheet
Pole clips		hot-dop galvanised steel
Screws		galvanised steel

## > Usable with the Following Antennas

WIRA 40 Antenna Series	Order No.	Type
	52010251	WIRA-40-linear-ETSI
	52010252	WIRA-40-linear-FCC

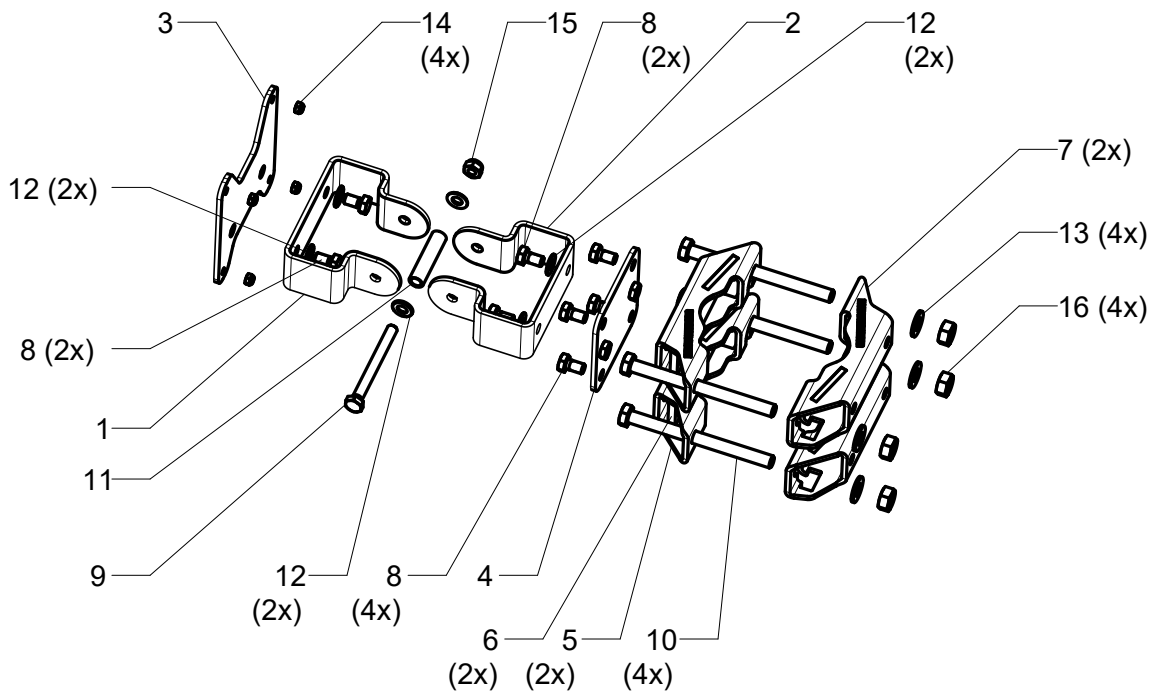
## > Selecting the Installation Location

### > Caution

Risk of an injury or damage to property due to an inappropriate antenna mounting!

- ▶ Make sure that the pole has adequate load-bearing capacity.
- ▶ If necessary, use a different pole.

**> Scope of Delivery**



Nr.	Description	Nr.	Description
1	1 x bracket part A	9	1 x machine screw hex head M80x80
2	1 x bracket part B	10	4 x machine screw hex head, M10x120
3	1 x adaptor plate	11	1 x bolt spacer, M8.4x50
4	1 x mounting plate	12	6 x flat washer, 8.4 mm
5	2 x clamping piece	13	4 x flat washer, 10.5 mm
6	2 x pole clamp, part A	14	4 x self-locking hex nut, M5
7	2 x pole clamp, part B	15	1 x self-locking hex nut, M8
8	8 x machine screw hex head, M8x14	16	4 x hex nut, M10

**> Pole Installation**

